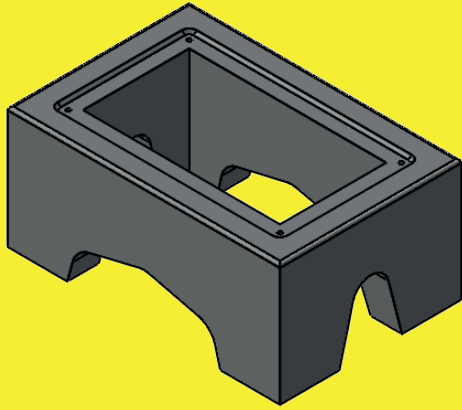




EV BLOCKS.COM

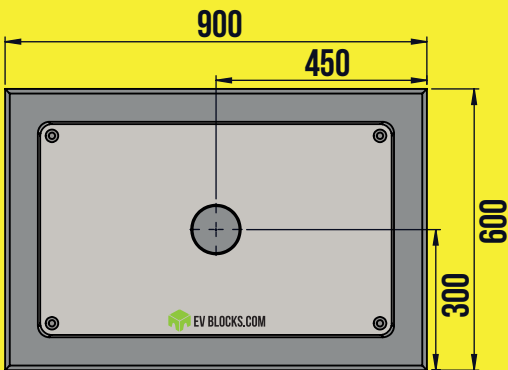
# ELECTRIC VEHICLE CHARGER INSTALLATION BLOCKS

## 600 X 900 DATA SHEET



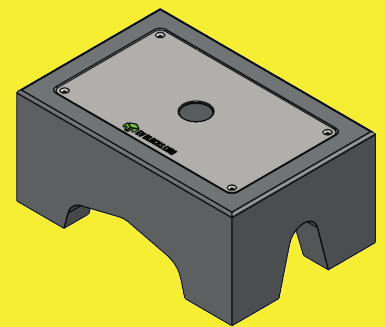
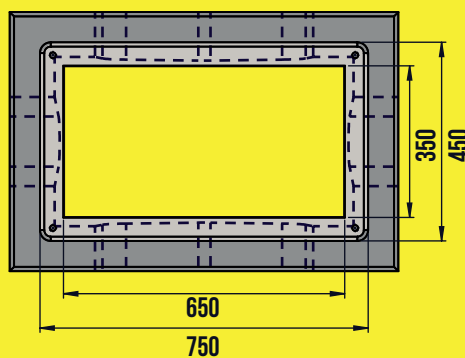
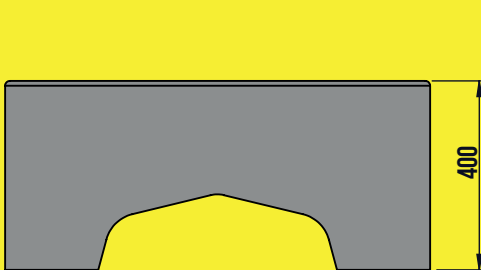
### B900 - EV BLOCK

- Pre-Cast Concrete EV charger base with a universal adaptor plate
- Blocks can be fitted for future-proofing an installation
- Uniform finish every time
- 100% Recyclable
- Can be installed in any weather conditions



LENGTH	600MM
WIDTH	900MM
HEIGHT	400MM

BLOCK WEIGHT	227.2KG
PLATE WEIGHT	7KG
EV BLOCK TOTAL WEIGHT	234KG



ALL MEASUREMENTS IN MILLIMETRES

01733 310 243  
info@evblocks.com



**ENGINEERED  
TO SAVE YOU TIME  
AND MONEY**



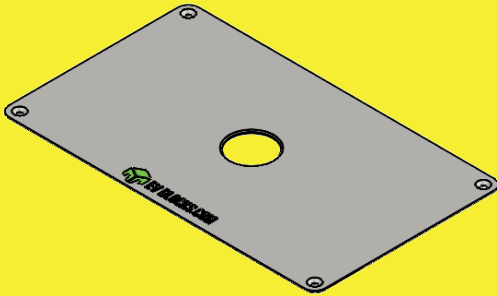
EV BLOCKS.COM

# ELECTRIC VEHICLE CHARGER INSTALLATION BLOCKS

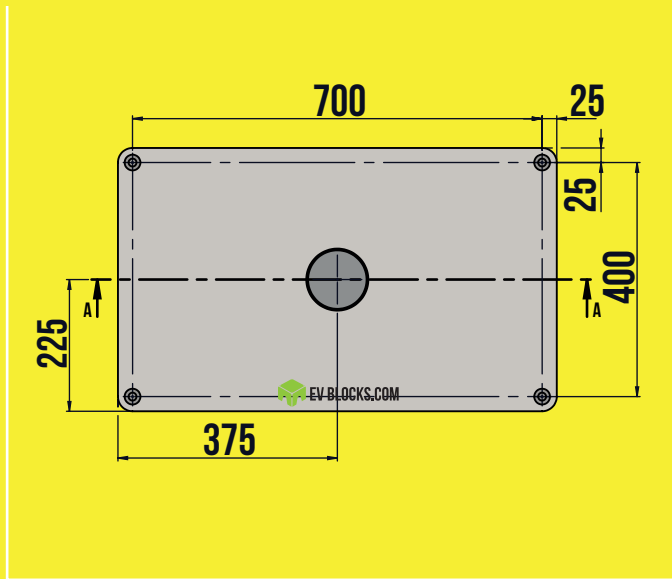
P900 DATA SHEET

## P900 - ADAPTABLE PLATE

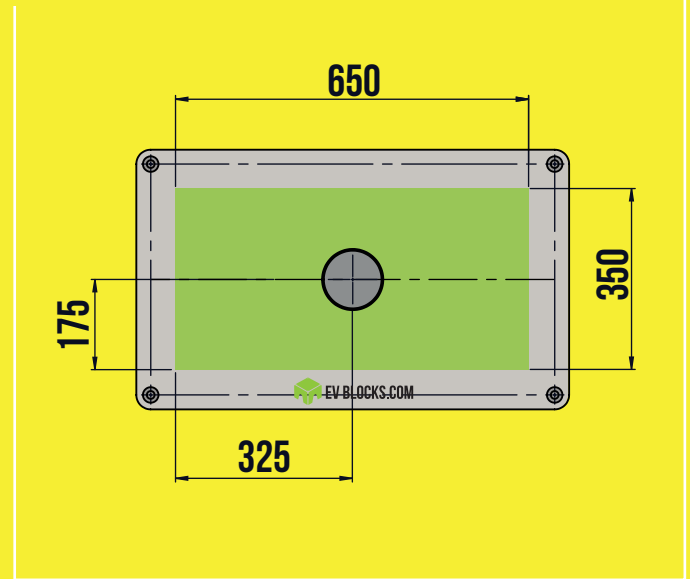
- Universal adaptor plate made from anodized aluminum
- Future-Proof Design
- Uniform finish every time
- 100% Recyclable



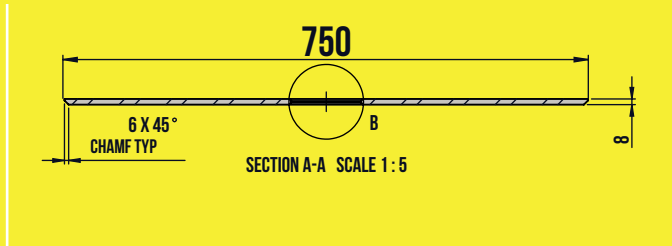
### TOTAL DIMENSIONS



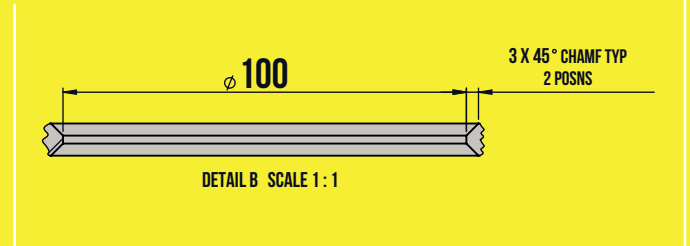
### SPACE AVAILABLE FOR FIXINGS



### CROSS-SECTION



### CENTRE HOLE



ALL MEASUREMENTS IN MILLIMETRES

01733 310 243  
info@evblocks.com



**ENGINEERED  
TO SAVE YOU TIME  
AND MONEY**