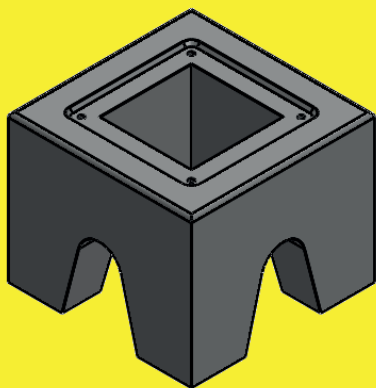




EV BLOCKS.COM

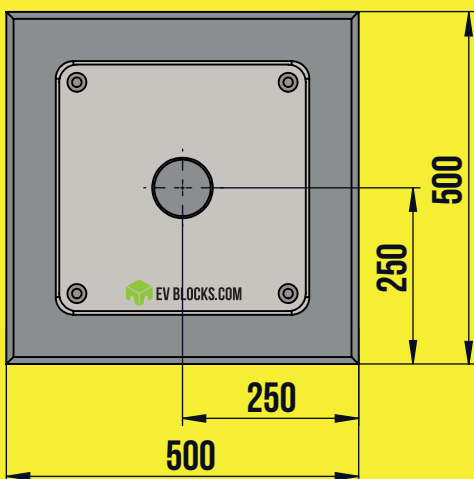
ELECTRIC VEHICLE CHARGER INSTALLATION BLOCKS

500 X 500 DATA SHEET



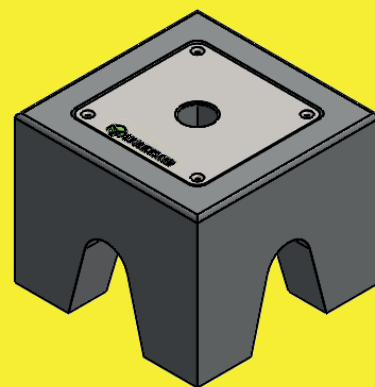
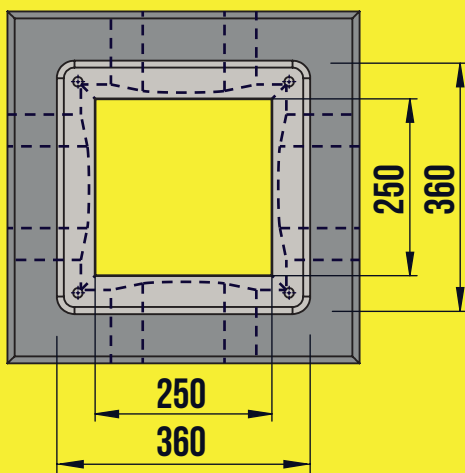
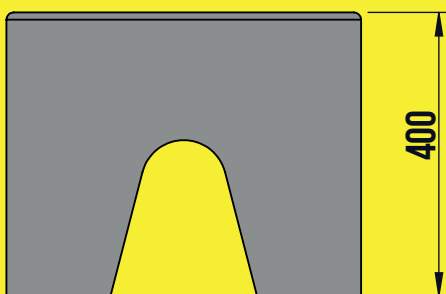
B500 - EV BLOCK

- Pre-Cast Concrete EV charger base with a universal adaptor plate
- Blocks can be fitted for future-proofing an installation
- Uniform finish every time
- 100% Recyclable
- Can be installed in any weather conditions



LENGTH	500MM
WIDTH	500MM
HEIGHT	400MM

BLOCK WEIGHT	134KG
PLATE WEIGHT	2.43KG
EV BLOCK TOTAL WEIGHT	136.4KG



ALL MEASUREMENTS IN MILLIMETRES

01733 310 243
info@evblocks.com



**ENGINEERED
TO SAVE YOU TIME
AND MONEY**